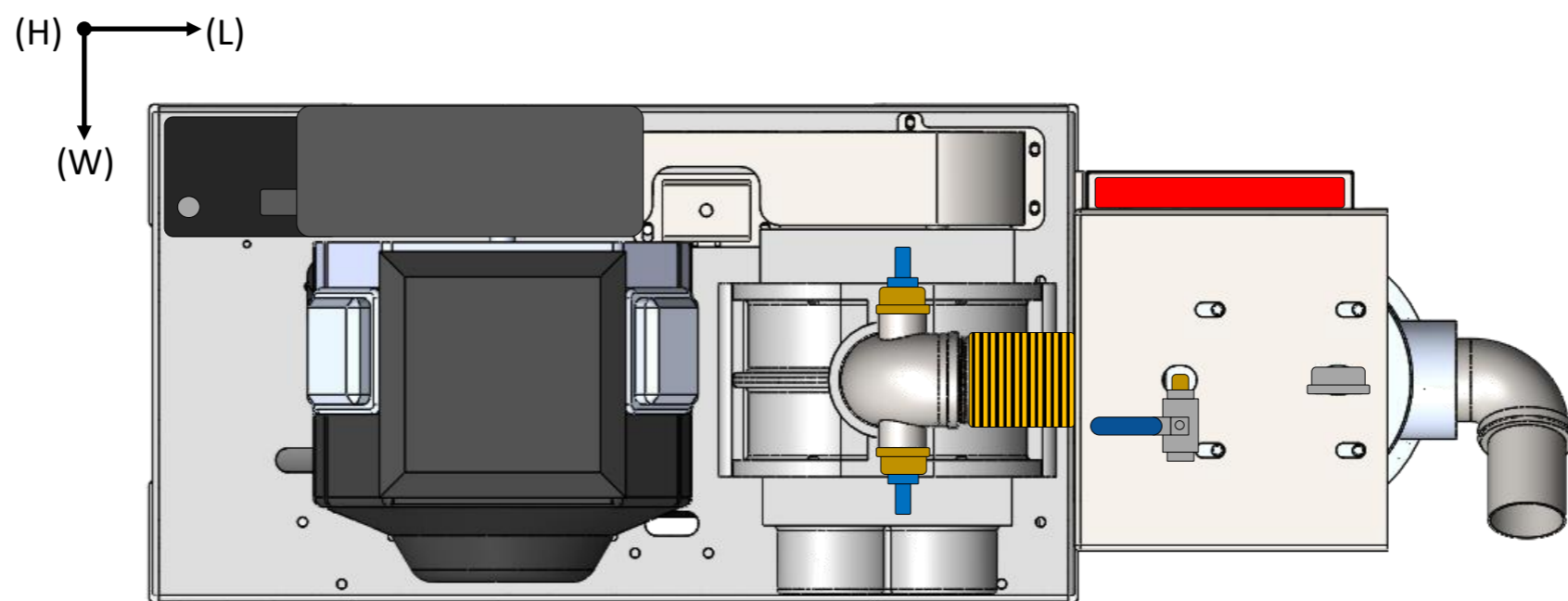
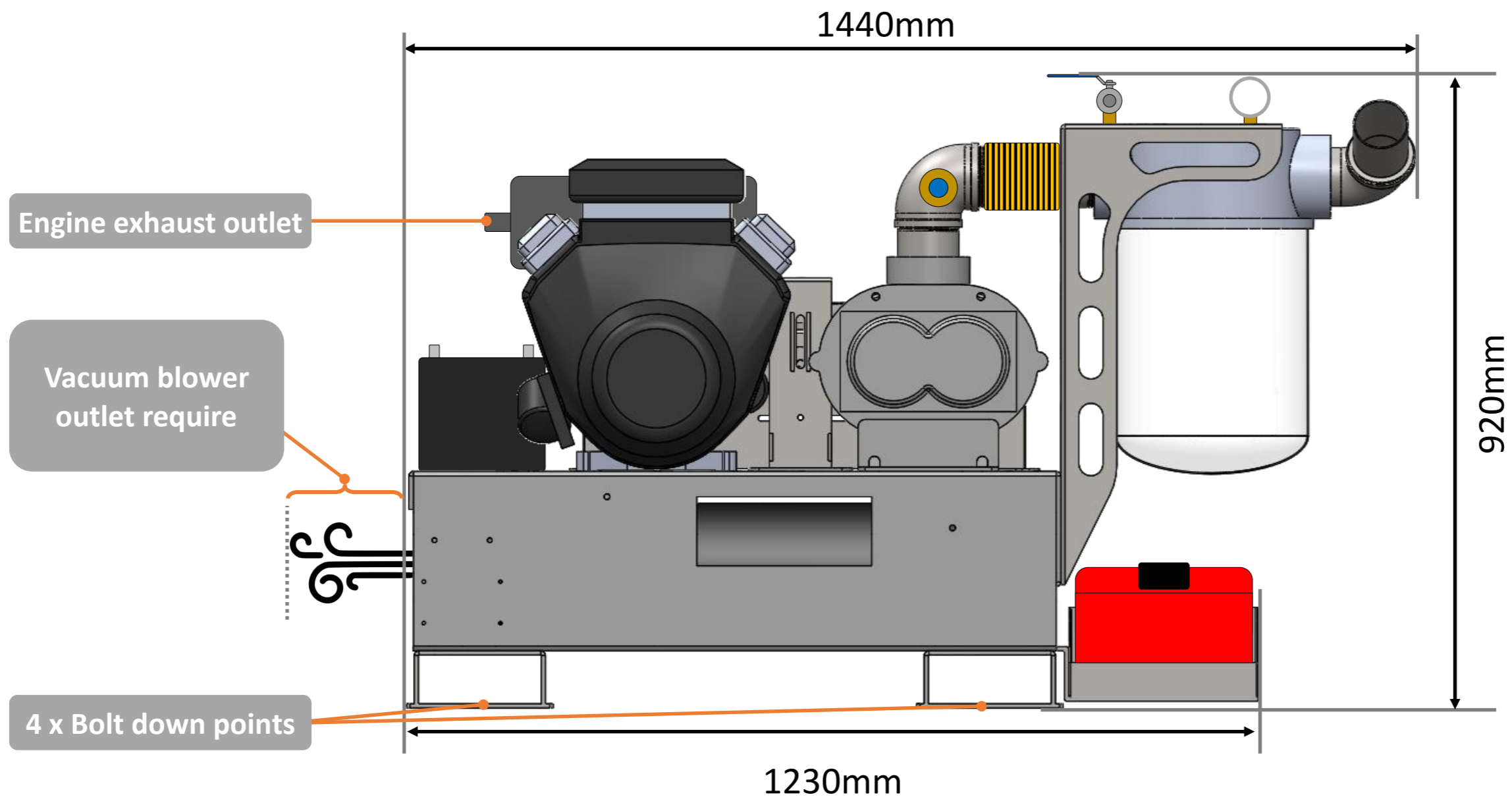
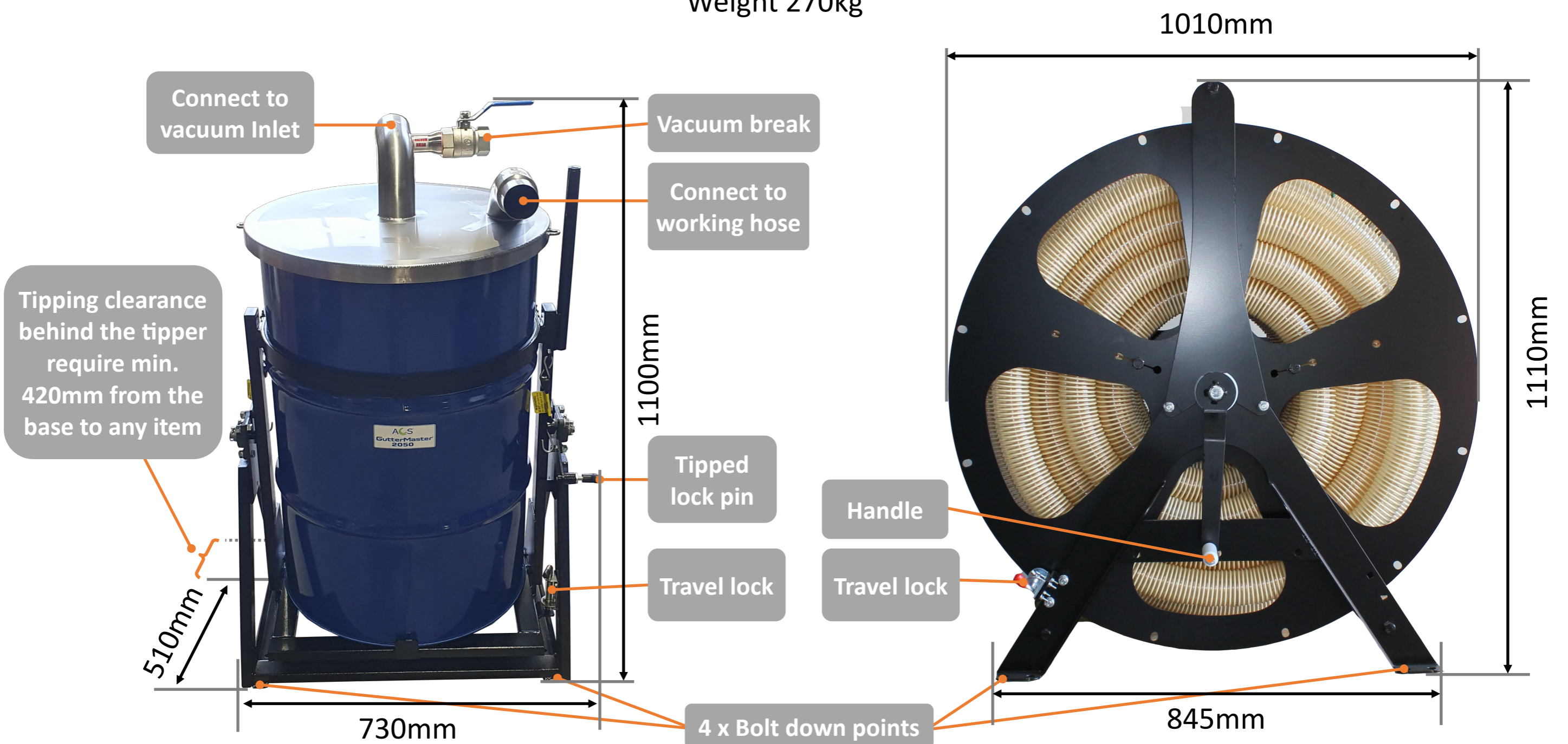


Gutter Master™ 2050 and Accessories Dimensions



Gutter Master™ 2050 Vac Skid
 1230mm (L) x 510mm (W) x 920mm (H)
 Weight 270kg



Drum Tipper with Drum and interceptor head
 Weight 55kg

Hose Reel
 Width: 800mm (Incl. handle & lock pin extended)
 Width: 700mm (mounting feet at base)
 Weight with 60 metres of 2.5" hose 90kg
 Not to scale